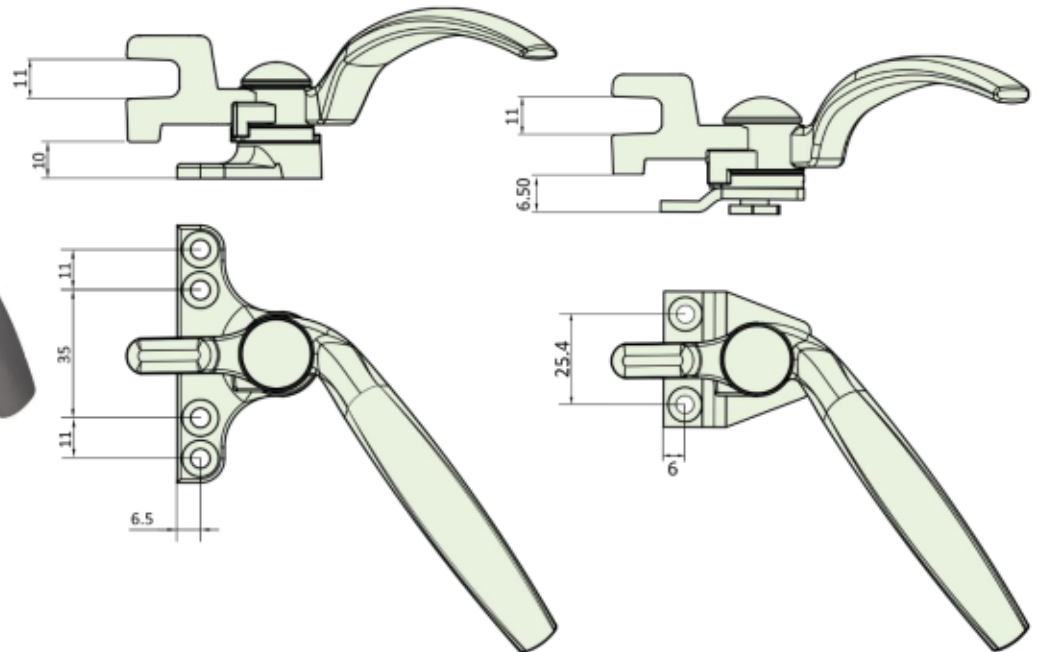


## PRODUCT FEATURES & TECHNICAL INFORMATION

- Traditionally fitted on steel windows, however can also be fitted on timber frame (use with timber frame accessories)
- Night Vent operation integrated
- Grub screw version provides lockable option (use with B158-Grub-Key)
- Backplate can be replaced with a 2-hole version (screw or rivet)
- Suitable for M5 countersunk fixing screws
- Available in several finishes or matching RAL finish on request
- Complimentary B375 design pegstay available in 2 sizes
- Complimentary door handles and escutcheons available for suited look

### B158F Curved Classic Handle 4-Hole Backplate



B158F – Non Locking

B158FG – Grub Key Locking

Steel Window Fittings/Window Handles/B158F

4-Hole Backplate Dimensions

2-Hole Backplate Dimensions